

## The Mangar Sub

(Patents Pending)

### Instructions for use



The Mangar Sub has been designed to assist in the bathing of children and is particularly suitable for children with limited upper body stability. The adjustable backrest together with straps, if necessary, provides full support. The shape and thin cross-section of the base board means the lowest part of the base board is only 5mm above the bottom of the bath allowing for shallow water bathing.

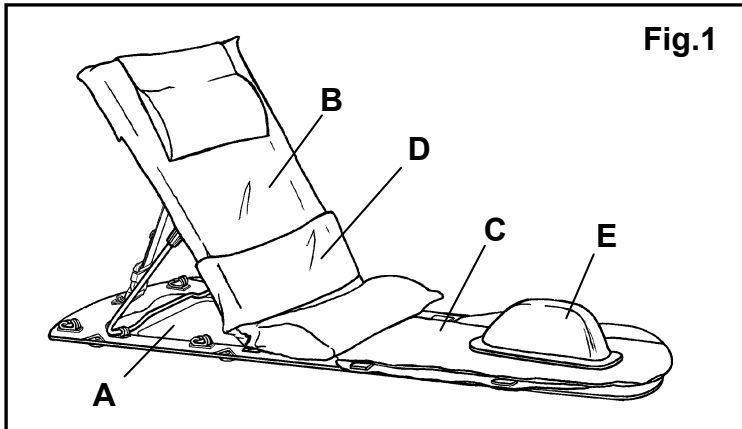


Fig.1

#### Standard contents list (Fig.1)

- 1 x Mangar Sub Base Board (A).
- 1 x Backrest (inc. Headrest Pad) (B).
- 1 x Platform Pad (C).
- 1 x Support strap (D).
- 1 x Instructions for use.

#### Optional extras:

- Platform Pad with rails for extra support strap.
- Head Support (not shown).
- Pommel (E).
- Carrying bag (not shown).
- Support Strap with Buckle (not shown).

#### Fitting/Adjustment of Backrest and Platform Pad

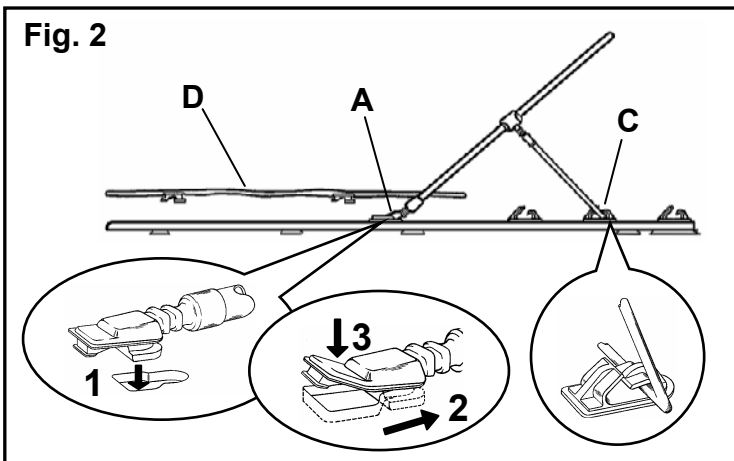


Fig. 2

- Fit the platform pad (D fig.2) by simultaneously inserting the plastic lugs into the slots (E & F fig.3). NOTE: If fitting the optional platform pad with rails the rear lugs do not have locking tags.

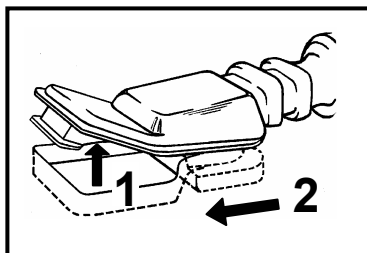
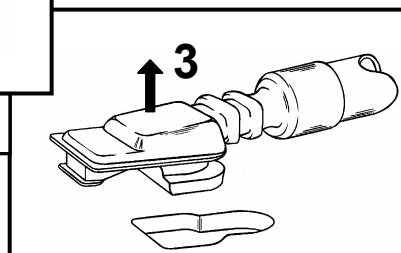


Fig. 4

To unfasten the plastic lugs in order to remove the backrest and platform pad:-



- The backrest and the platform pad are secured to the base board by means of plastic lugs inserted into keyhole slots. Locate and slide the lug into the slot as indicated (1 & 2 fig.2), press the locking tag down so that it 'clicks' into place (3 fig.2).
- Fit the backrest hinges to the slots (A or B fig.3) NOTE: If the forward slots (B) are to be used, transfer the two 'blanking plugs' to the rear slots (A).
- The backrest angle can be adjusted by locating the support bar in any of the three catches (C fig.2). The backrest can be fully lowered by releasing the support bar from the catches and allowing the backrest to lie flat.

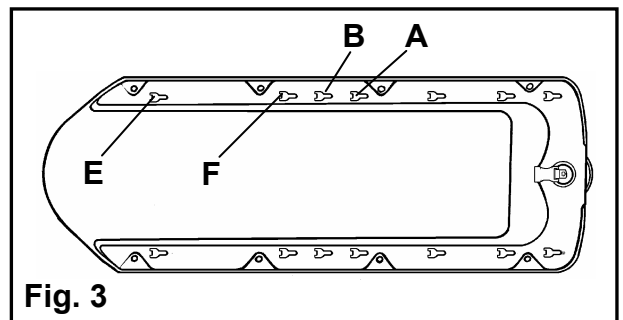


Fig. 3

- Locate the locking tag from the underside of the base board and press it upward (1 fig.4).
- Slide and lift the lug clear of the slot (2 & 3 fig.4).



### Fitting the Sub in the bath

- Place the Sub in the bath so that the rear end of the base board is as close to the non-tap end of the bath as it will go. **Press down on the Sub to secure the base board suckers firmly to the bath.**
- Adjust the backrest angle to the desired position and connect the buckle on the backrest restraint strap (**A** fig.5). Tension the strap in order to lock the backrest angle. If the backrest angle needs to be changed, unfasten the buckle before resetting the angle. Re-connect the buckle and tighten the strap to lock the backrest at its new angle.

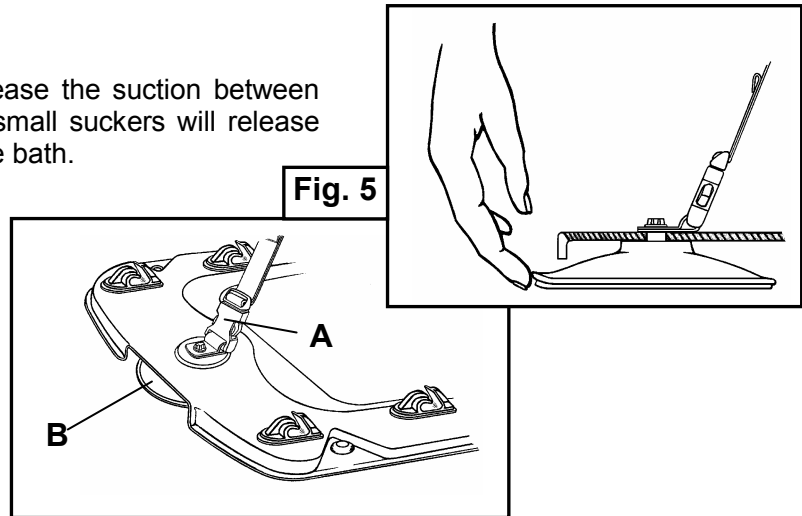
#### **WARNING:**

- **NEVER** leave a child unattended whilst they are on the Mangar Sub.

### To remove the Sub from the bath

- Lift the rim on the large sucker to release the suction between sucker and bath (**B** Fig. 5) The eight small suckers will release their suction as the Sub is lifted from the bath.

**NOTE:** Never attempt to remove the Sub from the bath without first breaking the suction under the large sucker or damage will result.

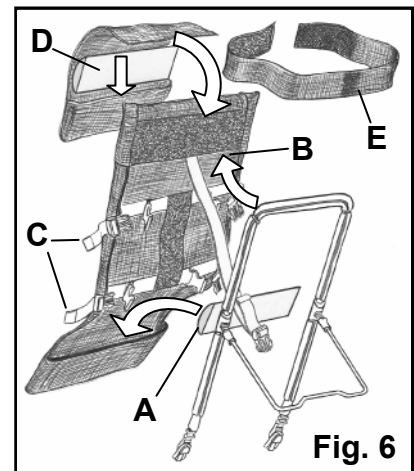


**Routine cleaning** – After use, rinse with clear water to remove soaps and impurities. The Sub can be cleaned with a proprietary liquid cleaner or disinfectant; wiped dry or left to air dry. **Do not dry using hot air.** Follow the instructions on the care label when laundering the backrest netting and straps.

**Disinfecting** – All components should be pre-cleaned by washing with detergent and water and then disinfected using either buffered hypochlorite (such as 'Milton' solution) or an alcohol impregnated hard surface wipe. Rinse after disinfecting - **Do not dry using hot air.**

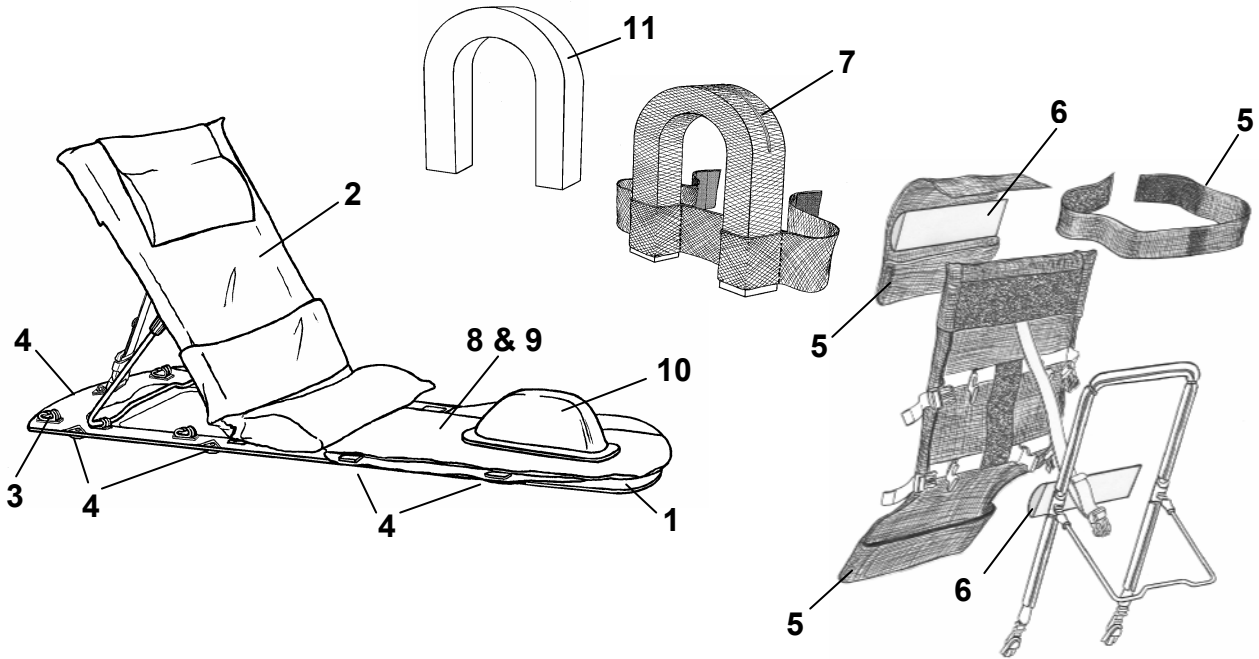
### Re-fitting the Netting to the Backrest Frame after laundering

- Insert the thigh support foam (**A** fig. 6) in the netting lower pocket.
- Insert the backrest frame into the pocket of the netting (**B** fig. 6) and fasten the four buckles (**C** fig. 6).
- Tighten or slacken the buckle straps in order to adjust the tension of the netting on the backrest frame.
- Insert the headrest foam (**D** fig. 6) in the pocket of the headrest netting and if required, Velcro™ the headrest to the backrest.
- The support strap (**E** fig. 6) can be attached to the Velcro™ panel (**F** fig. 6) as required.





PARTS KITS					
1	Base Board (with suckers & catches)	HS0111	8	Platform Pad	HS0120
2	Backrest Frame and Netting Assy.	HS0112	9	Platform Pad with rails	HS0121
3	Backrest Support Catches & Bunges	HS0113	10	Pommel	HS0122
4	Suckers Set	HS0114	11	Head Support Foam	HS0096
5	Netting Set	HS0115	12	Oversize Side Foam (not shown)	HS0125
6	Foam Set (Backrest & Headrest)	HS0137	13	Body Strap with Buckle (not shown)	HS0088
7	Head Support complete with foam	HS0118	14	Carrying Bag (not shown)	HS0105



**To look after your Mangar Sub – regularly check that:**

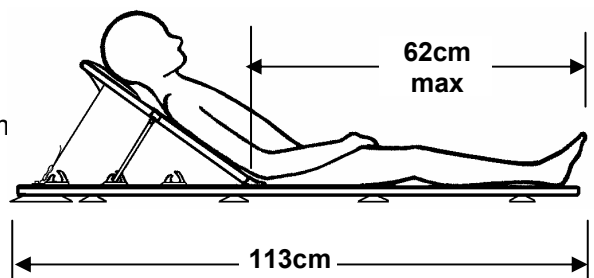
- The large sucker is undamaged and secure.
- The eight small suckers are undamaged and secure.
- That the backrest hinges and catches are undamaged and securely located within the slots.
- The Mangar Sub and accessories are kept clean.

**Storage**

Ensure that the Sub is thoroughly dry before storing. Store in a dry place and keep these instructions in a safe place for future reference.

**Specifications**

Maximum user weight: 50kg (110lbs / 8st)  
 Recommended Max. user height: 135cm (4'-5")  
 Base Board dimensions(inc backrest):  
 (L x W x H): 113cm x 37cm x 75mm  
 Backrest angle: From flat to 70° max.  
 Weight: 3.2kg (7lbs)  
 Total weight in carrying bag: 4kg (8.8lbs)



For further information, please contact the Customer Service Department at Mangar International, Presteigne, Powys, LD8 2UF, Wales, UK.

Tel: +44 (0)1544 267674 Fax: +44 (0)1544 260287 E-mail: [customerservice@mangar.co.uk](mailto:customerservice@mangar.co.uk)  
 Website: [www.mangar.co.uk](http://www.mangar.co.uk)